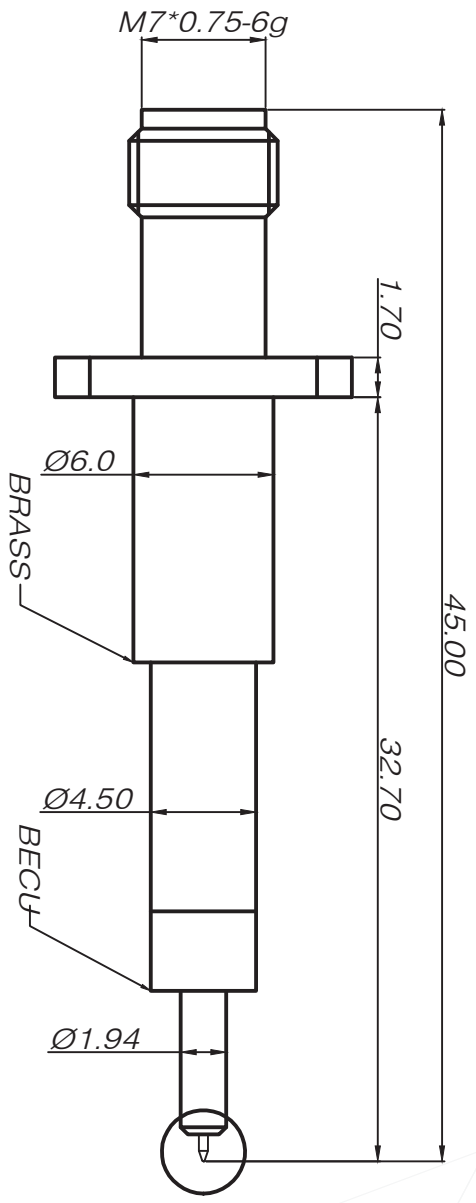
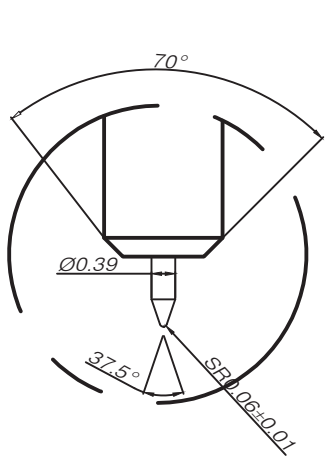
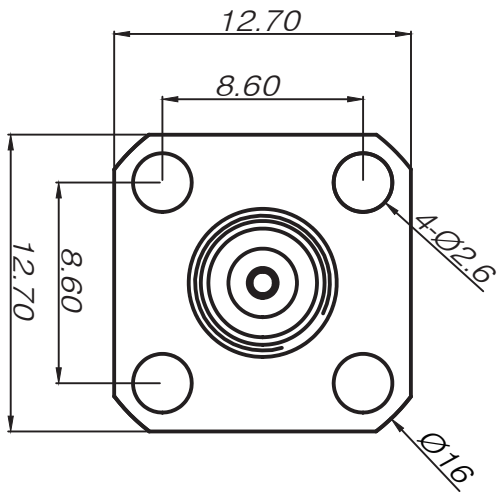


Probe Specification

mm



Mechanical & Electrical Specification

Voltage Rating	250Vrms Max
Frequency	DC-50GHz
Impedance	50Ω
Insulation Resistance	1000MΩ
V.S.W.R	1.50(DC-50GHz)
Withstanding Voltage	AC250V
Operated Temp.	-40~85°C
Insertion Loss	/
Max Travel	/
Interface Connector	2.4mm Female

Probe Image



How To Order RF Test Probe

Part Number: FS24106