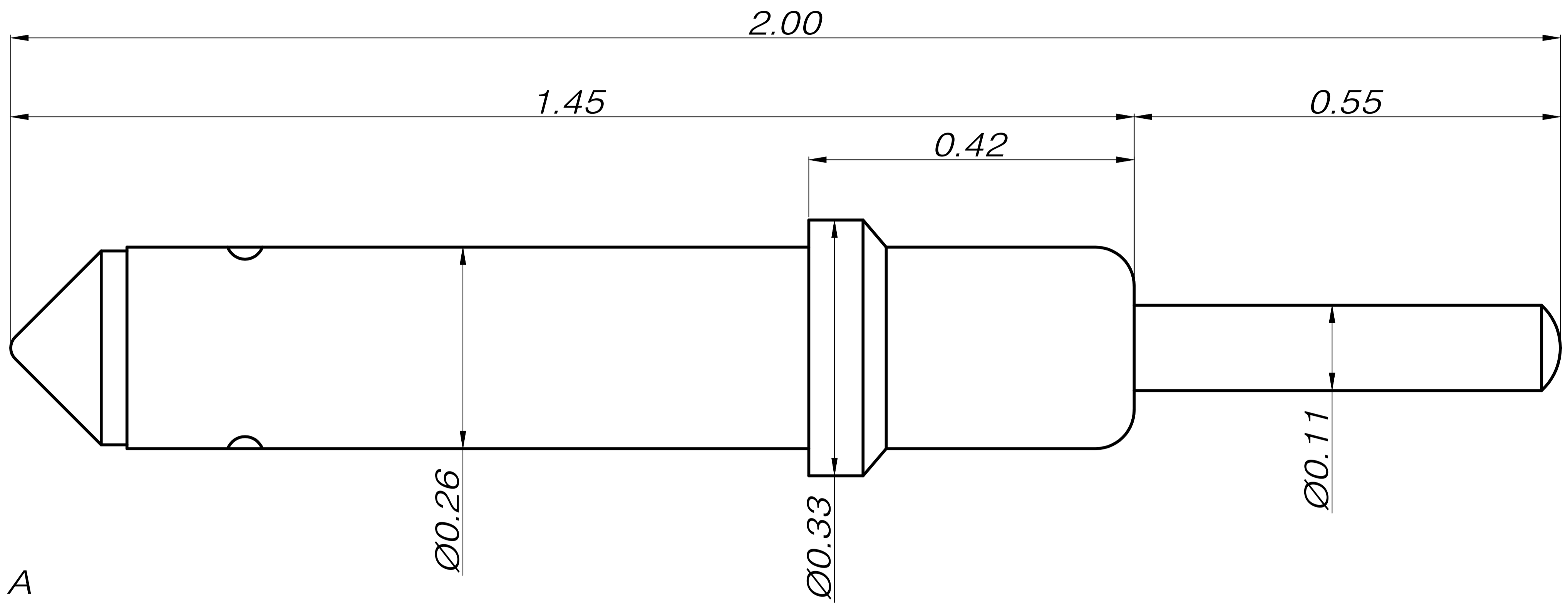


JR2620-0805-020



PLUNGER A
FIXED SIDE

PLUNGER B
WORKING SIDE

SPECIFICATIONS

- 1.Full Travel: 0.55mm
- 2.Working Travel: 0.40mm
- 3.Spring Force: 23g@0.40mm
- 4.Current: 1A Continuous
- 5.Temperature: -55~120°C
- 6.Resistance <50 mOhm
- 7.Lifespan: 250k

MATERIALS

- 1.Plunger A: SK-4, Gold Plating Over Nickel
- Plunger B: Harden BeCu, Gold Plating Over Nickel
- 2.Spring: Music Wire, Gold Plating Over Nickel
- 3.Barrel: Phosphor Copper, Gold Plating Over Nickel

This technical documentation is intellectual property of Shanghai Jianyang Electronics Technology Co Ltd. Unless otherwise contractually agreed in writing, it is not permitted to duplicate or disseminate it, nor may it be made accessible to third parties in any other way, or otherwise be misused without our explicit prior consent.

Itemref	Quantity	Title/Name, designation, material, dimension etc			Article No./Reference	
Designed by Sam Wong	Checked by	Code 003-TY	Filename	Date 2022/06/19	Scale 1:1	
Jianyang Technology			WWW.JYPROBE.COM			
			sales@jyprobe.com		Edition 0	Sheet 1/1