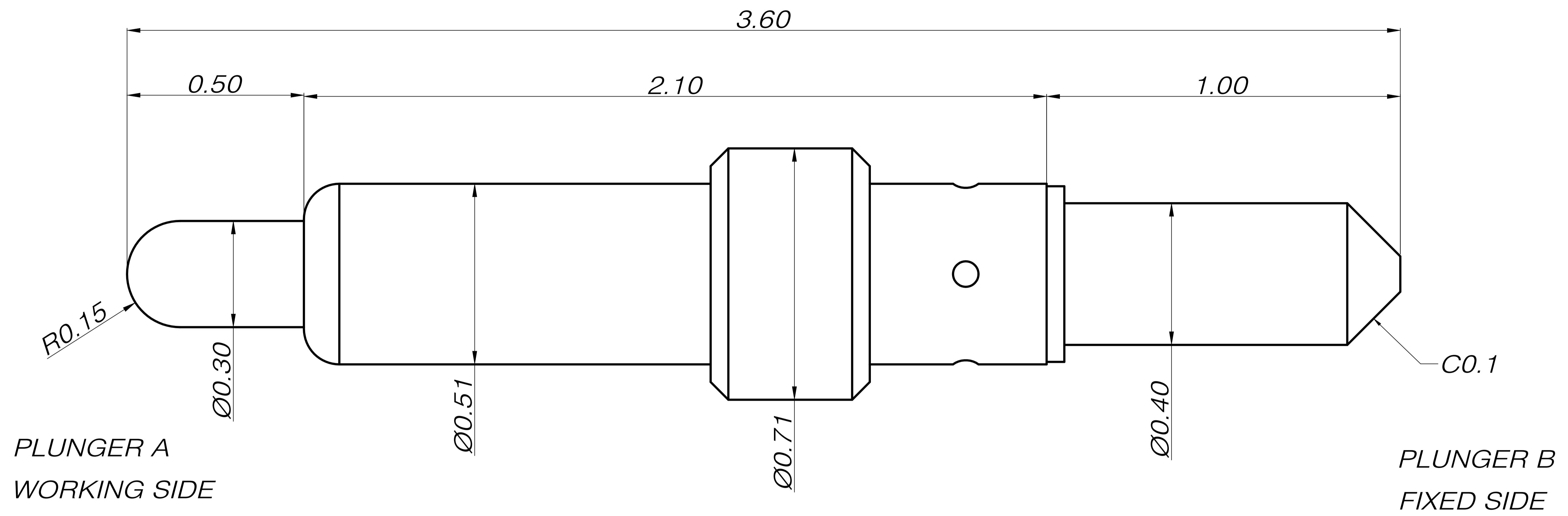


J5136-0508-03



SPECIFICATIONS

- 1.Full Travel: 0.5mm
- 2.Working Travel: 0.3mm
- 3.Spring Force: 30g@0.3mm
Preloaded 12g
- 4.Current: 3A
- 5.Temperature: -55~120°C
- 6.Spring Life: 100,000 Cycles

MATERIALS

- 1.Plunger A: Harden BeCu, Gold Plating Over Nickel
Plunger B : Harden BeCu, Gold Plating Over Nickel
- 2.Spring: Music Wire, Gold Plating Over Nickel
- 3.Barrel: Phosphor Copper, Gold Plating Over Nickel

This technical documentation is intellectual property of Shanghai Jianyang Electronics Technology Co Ltd. Unless otherwise contractually agreed in writing, it is not permitted to duplicate or disseminate it, nor may it be made accessible to third parties in any other way, or otherwise be misused without our explicit prior consent.

Itemref	Quantity	Title/Name, designation, material, dimension etc			Article No./Reference	
Designed by Sam Wong	Checked by	Code 002-HR	Filename	Date 2022/2/14	Scale 1:1	
Jianyang Technology				WWW.JYPROBE.COM		
sales@jyprobe.com				Edition 0	Sheet 1/1	